

iQ-SHUTTLE*

High Speed Low Cost Scale

More Speed for Less

- ◆ More Speed:
Up to 50 fills
per minute
- ◆ Low Cost
Compared to
multiple lane scales
or combination scales
- ◆ Less Maintenance
 - Only 2 load cell scale
 - Quick changeovers
 - Minimal contact
surfaces to clean
- ◆ Compact Design
Fits in a 4' cube,
offers short product
drop



***Automate with a bagger
or container indexing
conveyor***



800-571-0249
www.weighright.com

***Patent Pending**

3 Models Available

1 oz. to 3 lbs.
8 oz. to 5 lbs.
5 lbs. to 30 lbs.

iQ-SHUTTLE

Fully Automate with Bagger
or Conveyor



iQ-Shuttle
utilizes touch screen
interface controls.

Options:

- Washdown Model
- Dimpled Textured
- Two-Tray Feed Design
- Hopper Extension
- Swivel / Locking Casters

HOW IT WORKS:

The iQ-Shuttle vibrates a continuous stream of product into a directional funnel that shuttles between two weigh buckets and ensures no underweights and tight accuracy.

iQ-Shuttle with Indexing Conveyor:

The iQ-Shuttle is ideal to fill nutmeats, coffee, seeds, granules, pellets, and small candies, into cans, jars, trays or tubs.

The iQ-SHUTTLE is available in three models: 1 oz. to 3 lbs., 8 oz. - 5 lbs., and 5 - 30 lbs.

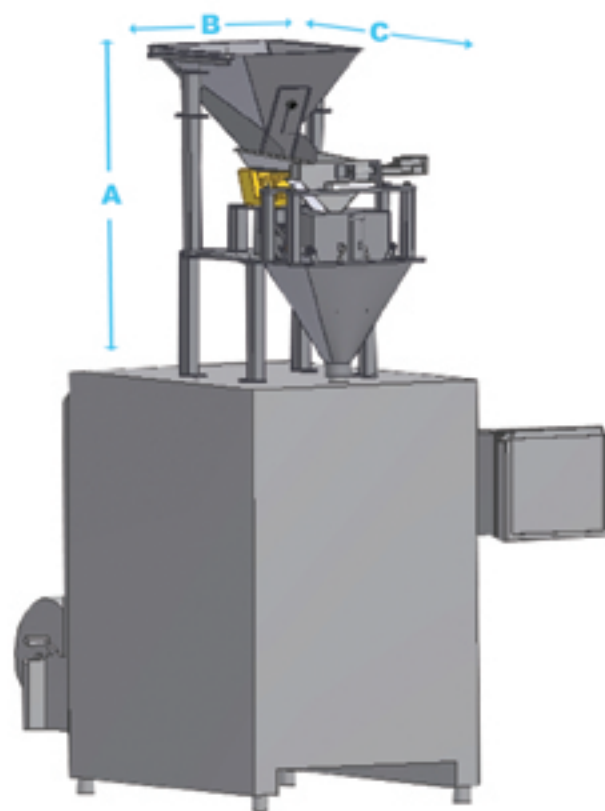
iQ-Shuttle with Bagger:

The iQ-Shuttle can be supported on a split support frame over the transition funnel of your bagger or mounted to the top plate on most vertical baggers. The short stack-up height is minimal compared to multiple lane linear scales and combination scales yet offering moderately high speed filling.

WEIGHTS AND RATES*

| | |
|--------------|---|
| 1 - 8 oz. | 45-50 fills per minute |
| 8 - 16 oz. | 40 fills per minute |
| 1.5 - 2 lbs. | 30 fills per minute (may require double dump) |
| 2.5 - 3 lbs. | 25 fills per minute (may require double dump) |
| 3.5 - 5 lbs. | 20 fills per minute (may require double dump) |

*Above rates are estimated and final guarantees subject to product samples and testing. Accuracy is subject to product piece size, density and consistent head pressure.



| SPECIFICATIONS: | Height (A) | Width (B) | Depth (C) |
|-------------------------|------------|-----------|-----------|
| iQ-Shuttle over bagger: | 48 inches | 25 inches | 42 inches |
| iQ-Shuttle on stand: | 90 inches | 42 inches | 48 inches |



612-A Mills Rd. Joliet, IL 60433
Ph: 815-726-4626 Fax: 815-726-7638
800-571-0249 www.weighright.com

Printed in the USA