

Capping Solutions Spindle Capper & Tightener



Highly versatile solutions to place and accurately torque nearly any threaded cap type.

Apex Filling Systems Spindle cappers are a highly versatile solution to place and accurately torque most threaded cap types onto most bottle types. They can place and torque flat caps, flip top caps, pull spouts, safety caps, childproof caps, sport caps, and caps with over-caps or induction seals. Built on a heavy duty, tig-welded stainless steel frame with anodized aluminum plate construction, this capper provides durability in almost any packaging environment. The modular design lets you start with just a cap tightener and easily add capabilities when you need them.

Our Spindle Capping Machines can be easily adjusted with tool-less Gripper Belts for containers from 1" to 14" tall. Our tool-less 4 axis Cap Delivery Chute handles caps from 8mm to 110mm. Changeovers are fast and simple. Our machine is designed to be easily adaptable for special containers, special closures, and harsh environments.



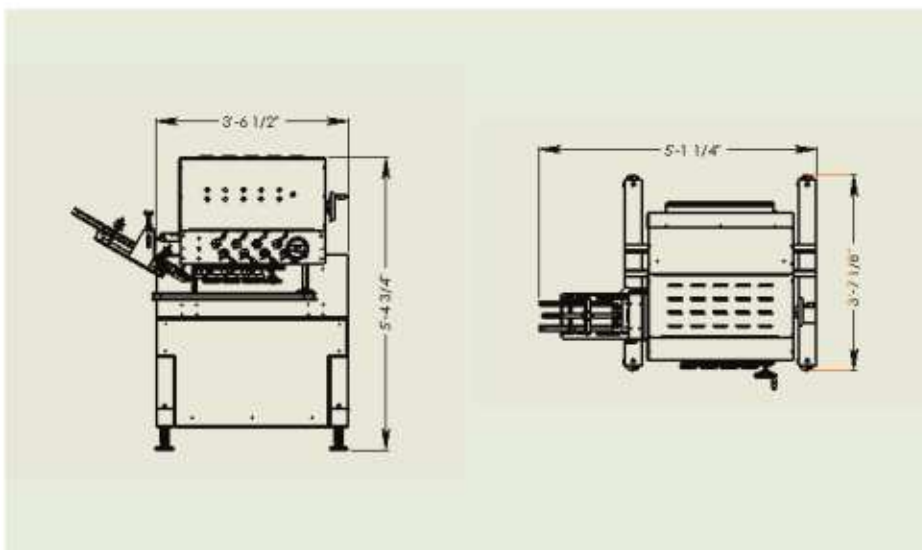
Spindle Cappers & Tighteners

Features

- Heavy duty 304SS free standing frame
- Designed for easy integration with most conveyor configurations
- Variable speed SEW AC motors
- 6 or 8 spindle wheels
- Spindle wheel adjustment knobs, with locks
- Gripper belt height and width adjustment
- Removable dual gripper belts
- No change parts required for a wide range of containers
- Universal cap chute
- Cap size: 8mm to 110mm
- Container height: 1in – 14in
- 304 stainless steel drive shafts and adjustment support shafts
- Adjustable spindle clutches on final set of tightening spindles
- Power height adjustment
- Tool free changeover
- Made in the USA

Options

- Cap sorting device – vibratory bowl
- Cap sorting device – centrifugal bowl
- Cap sorting device – sorting elevator
- Trigger spray cap rails
- F-style spacer
- Reversible first spindle set (on 8 Spindle Capper)
- Dual gripper belts
- Hazardous location/environment construction – Class I, Division II, Groups C&D



Applications:

Will work with most containers and caps including flat caps, sifter caps, continuous thread metal lids and many others.

- *Personal Care
- *Nutraceuticals
- *Beverage
- *Cosmetics
- *Pharmaceuticals
- *Household Chemicals
- *Petroleum Products