



markem-imaje

a DOVER company



Thermal inkjet 1050



Industrial printing made easy

Designed to be a mid-volume, low maintenance, easy-to-operate printer, the 1050 thermal inkjet coder produces high-resolution text, logos, graphics and 100% scannable barcodes.

Your benefits

- Flexible printhead options. Print codes from 12.7 mm up to 50.8 mm high.
- High speed printing of serialized barcodes for product promotion and traceability.
- Easy to use. 177.8 mm touch screen with intuitive WYSIWYG interface for simple set-up.
- Low maintenance snap-in and out cartridges for no-hassle reliable printing.

Product features

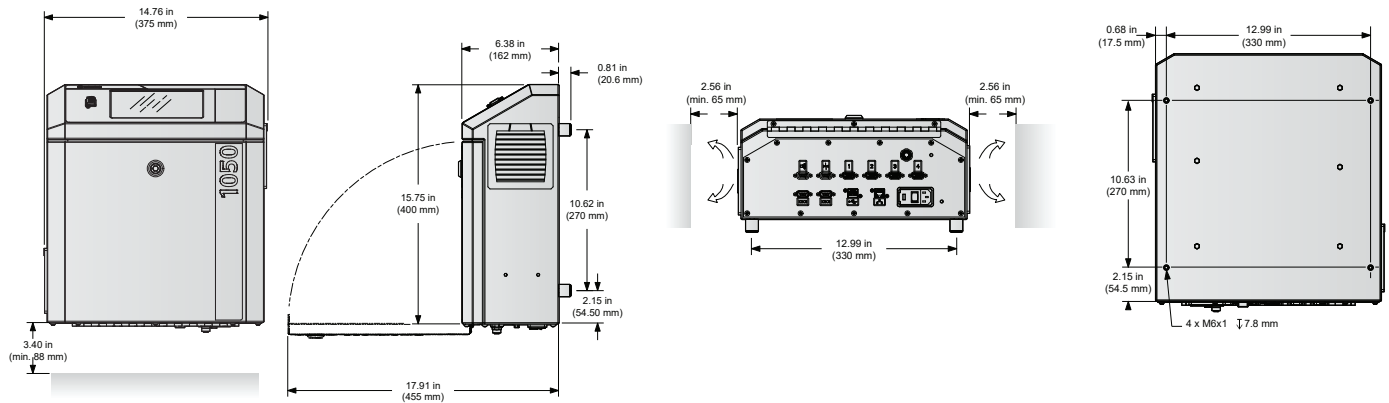
Scannable high-resolution codes printed at high speeds

- High Quality text, logos and high-density graphics
- 100% Readable 1D and 2D barcodes at high production rates.
- Precision print control variable dpi from 1 to 600 dots per inch for optimized barcode printing.

Flexible and industrial

- Suitable for dusty, humid and corrosive environments.
- Quick setup portable design for efficient line changes.
- Secure operation three levels of menu-driven accessibility.
- Maximize uptime reduce TCO with 680 ml or 1360 ml bulk ink delivery module - aqueous inks only.
- Minimize ink consumption with draft mode feature and variable print density.
- Centrally manage codes create images and network printers with optional **CoLOS®** software.

1050 specifications



Line speed/Resolution

Maximum line speed 201 m/min (660 ft/min)

Maximum resolution 600 x 600 dpi

Print features

Static text, user inserts, date/time stamps, shift codes, counters, bitmaps, conditional bitmaps, and variable data

Windows True Type fonts

Barcodes 1D: Codabar, Code 128, Code 39, Code 93, EAN8, EAN13, EAN128, Interleaved 2 of 5, Pharmacode, Plessey, UPC -A, UPC -E

Barcodes 2D: Aztec, Data Matrix, Maxi Code, Micro QR Code, PDF417, QR Code, QR Code 2005

Additional barcodes available upon request

Printheads & mounting configurations

There are several printhead and mounting options available. Please contact a Markem-Imaje Applications Engineer for further assistance in selecting the appropriate components.

Controller

177.8 mm (7") touch screen interface

WYSIWYG template and print preview

3 levels of menu-driven security

Workflow manager allows administrator to customize print process

Industrial solid-state electronics with no moving parts

1 x Ethernet Ports, 2 x USB Ports, 2 x RS-232

Industrial stainless steel enclosure

Supports up to (4) 12.7 mm (1/2") heads, (2) 25.4 mm (1") heads or (1) 50.8 mm (2") head

Encoder and sensor ports

110-240 VAC, 50/60 Hz, 1.3A

Sensor Pin Out: P3-Hi (PnP), P6-GND, P7-Low (NPN), P8-12VDC

Bulk ink option available

Operating temperature:

- Printer – 10 to 40 °C

- Inks – Aqueous 10-40 °C (except 10068196-S at 5-40 °C), solvent 15-35 °C

- Inks may work outside these ranges depending on the application and environment

Humidity: 0-80% RH (non-condensing)

Software

CoLOS® Enterprise